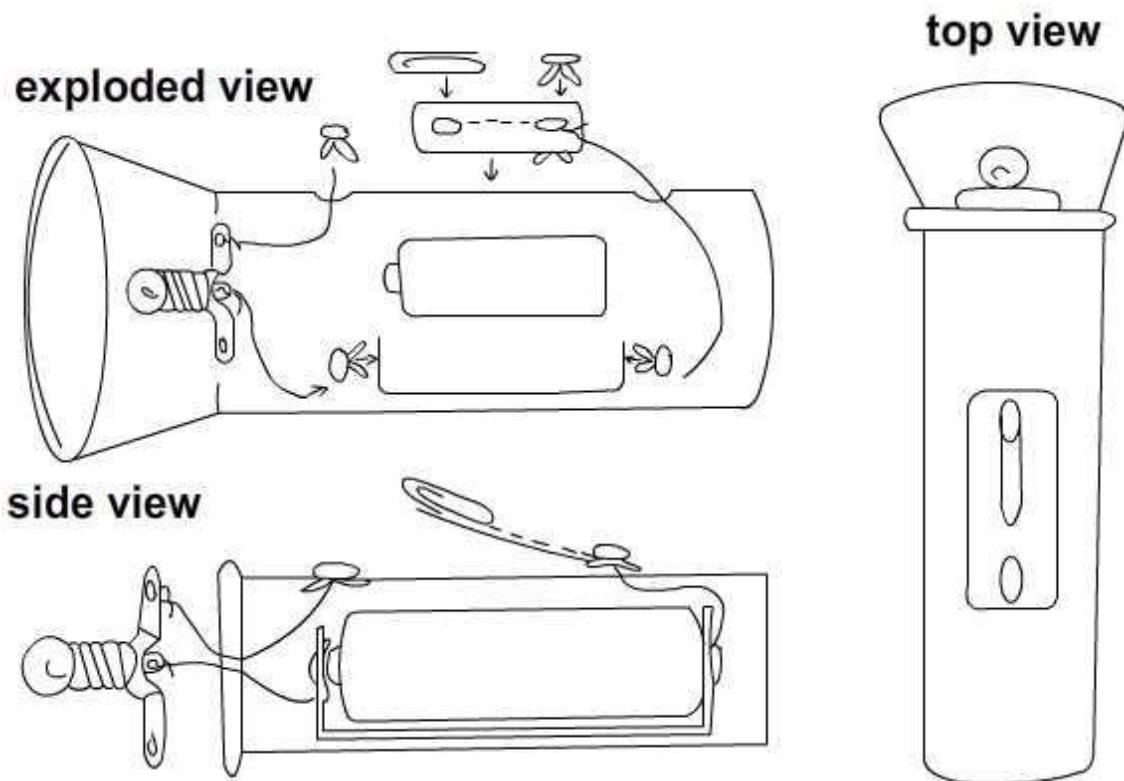


Grade 7 Technology Worksheet

Designing a torch

Design and make a simple torch. Use the pictures to help you.

- 1.1 Show two drawing plans.
- 1.2 List a step-by-step guide that explains how to make the torch, using a flow chart to illustrate your steps.



Grade 7 Technology Worksheet

DRAWING ONE	DRAWING TWO
DESIGN YOUR FLOW CHART IN THIS SPACE	

[20 marks]

Grade 7 Technology Worksheet

Suggested Solutions

Question number	Possible marks	Answers
1	20 marks	<p>1.1 Learners' designs will vary.</p> <p>1.2 Example of a flow chart:</p> <div style="border: 1px solid black; padding: 5px; margin-bottom: 5px;">Collect all the materials and equipment.</div> <div style="border: 1px solid black; padding: 5px; margin-bottom: 5px;">Make bulb holder.</div> <div style="border: 1px solid black; padding: 5px; margin-bottom: 5px;">Connect lead to the two points of the bulb holder.</div> <div style="border: 1px solid black; padding: 5px; margin-bottom: 5px;">Connect the one end of the lead to the battery.</div> <div style="border: 1px solid black; padding: 5px; margin-bottom: 5px;">Connect the other end of the lead to the switch.</div> <div style="border: 1px solid black; padding: 5px; margin-bottom: 5px;">Connect a lead from the battery to the other end of the switch.</div> <div style="border: 1px solid black; padding: 5px;">Place all items in a neat housing resembling that of a torch.</div>

[20 marks]